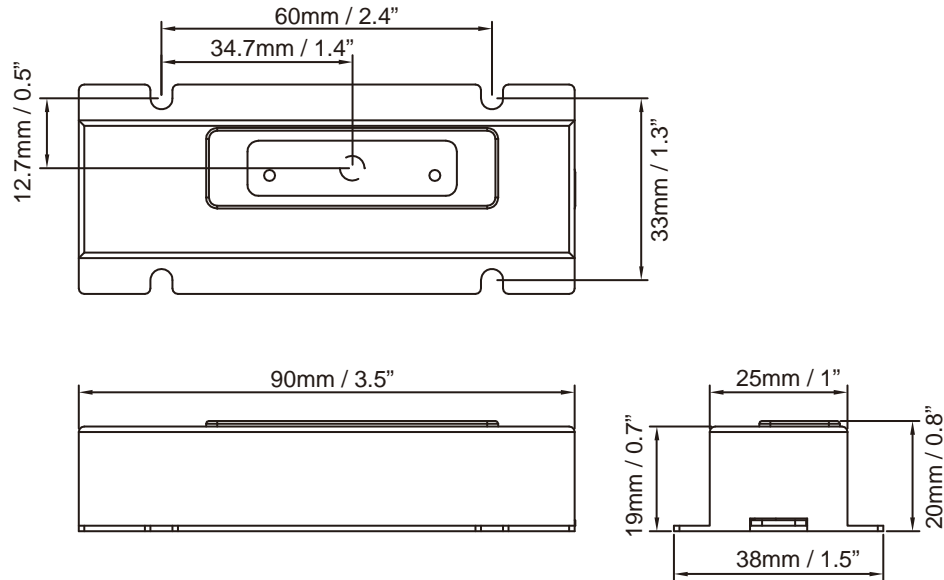


## ■ Contents

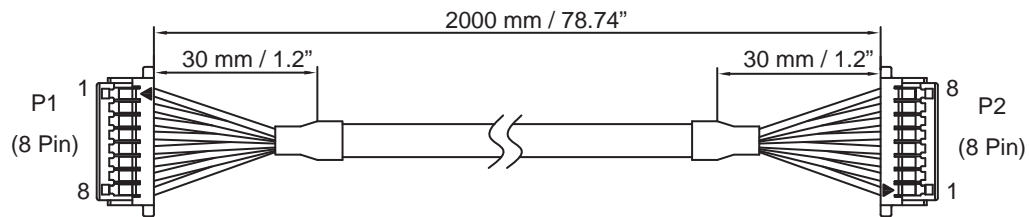
- Sensor Kit x 1 pcs
- Extension Cable x 1 pcs

## ■ Dimension

### Sensor Kit

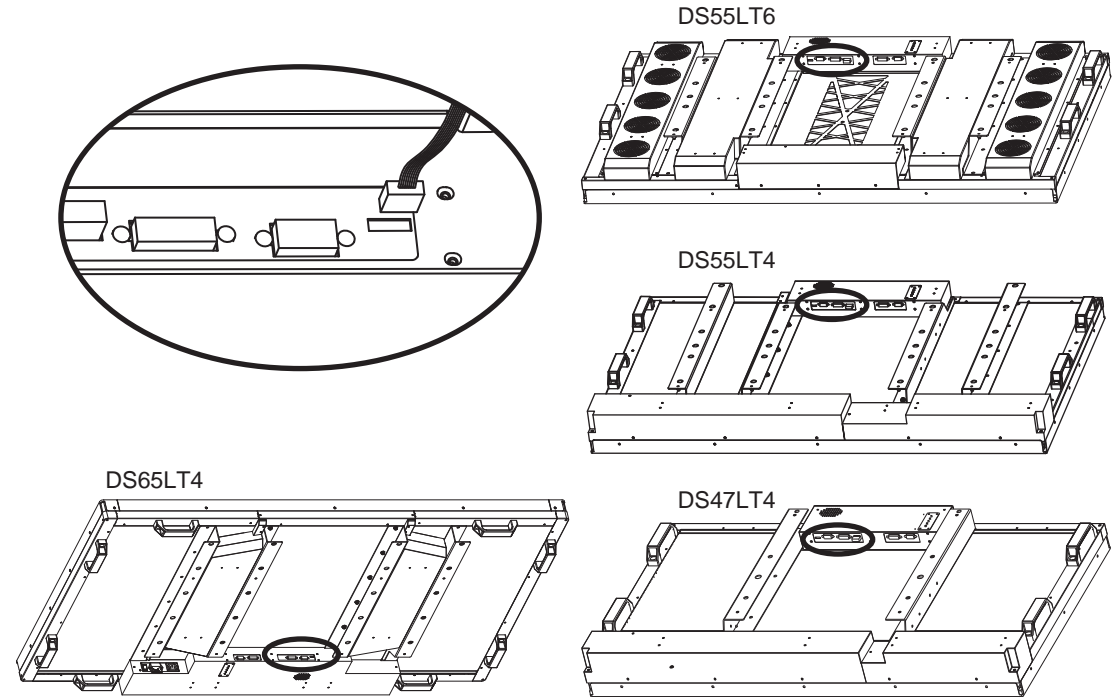


### Extension Cable

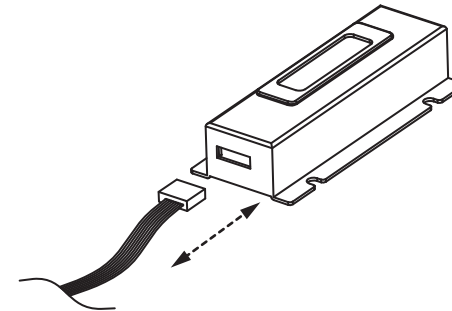


## ■ Installation Procedure

1. Turn off the LCD power switch.
2. Connect the Extension Cable to the LCD.



3. Assemble the Sensor Kit with Extender Cable.



**Note:** Insert the connectors in the correct orientation to avoid damaging the pins inside the connector. The connector must be inserted completely into the socket to ensure proper operation of the Sensor.