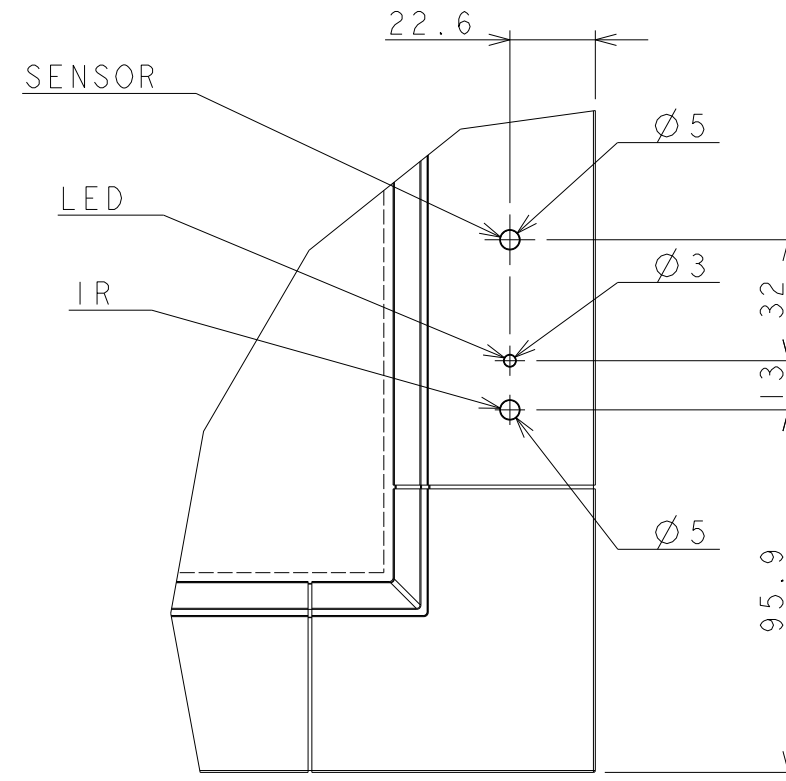
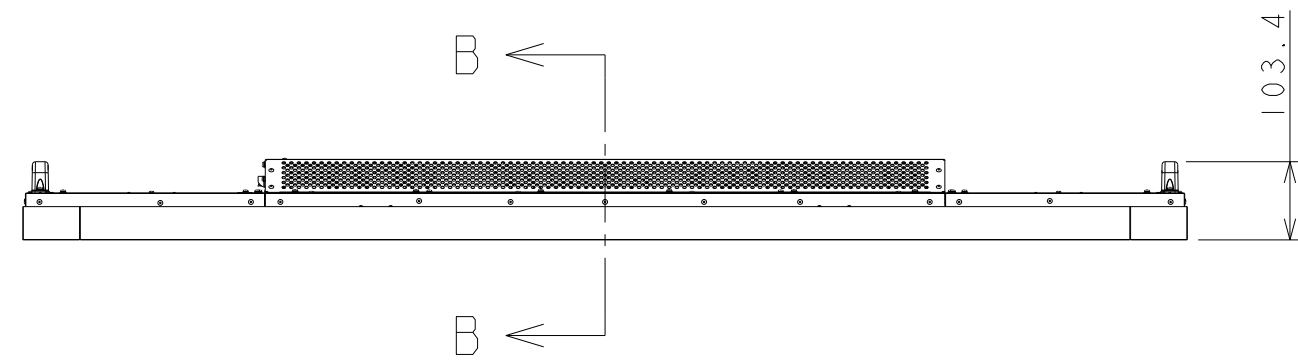
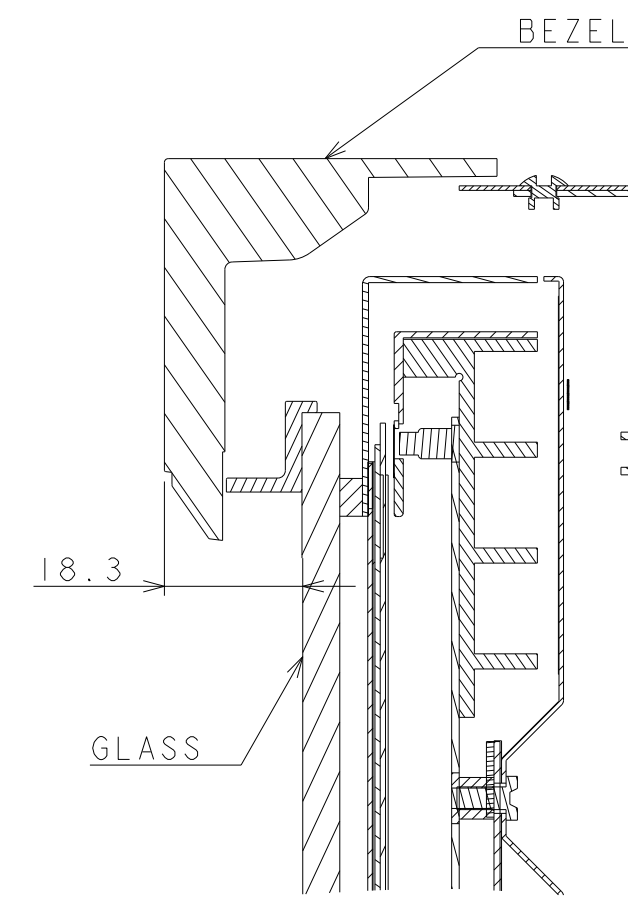


V652-TM OUTLINE

2013/09/20



DETAIL A
SCALE 1/2



SECTION B-B
SCALE 1/1

